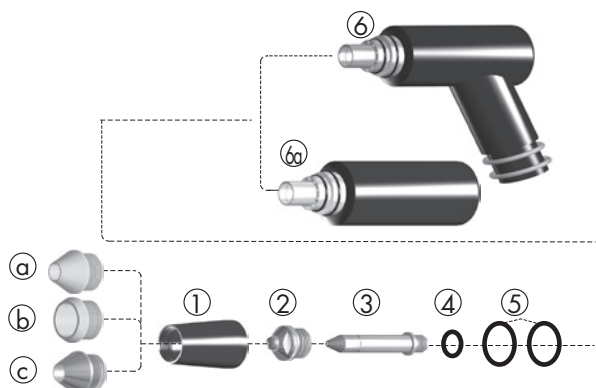
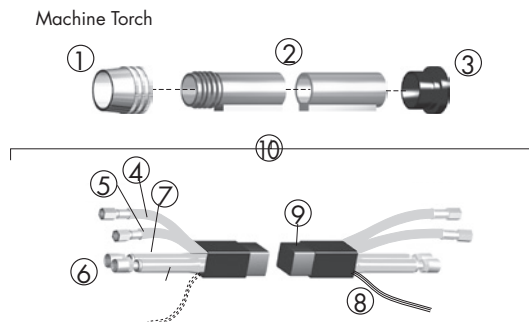


REPLACEMENT PARTS SUITABLE FOR Thermal Dynamics®

PCH/M-150 TORCH



ACCESSORIES



Item	Part No.	Ref. No.	Description	Std. Pkg	Item	Part No.	Ref. No.	Description	Std. Pkg.
1.	T-2172	9-5758-5	Plastic Bottom	1	T-0247	9-5767	Tip, .067 Nit 150 Amp	5	
1a.	T-0237	9-5750	Shield Cup	1	T-0248	9-5766	Tip, .052 Nit 100 Amp	5	
	T-1032	9-5750-1	Ceramic Taper Piece	1	3.	T-0253	9-5749	Electrode, Air	5
1b.	T-0238	9-5758	Shield Cup, Tip Exp.	1		T-0254	9-5754	Electrode, Nit, AR/H	5
1c.	T-0239	9-5790	Shield Cup, Metal	1		T-0255	9-5760	Electrode, Oxy	5
	T-2176	9-5790-1	Metal Front Piece	1	4.	T-0263	8-0537	O-Ring, Small	10
2.	T-0241	9-5746	Tip, .070 Air 150 Amp	5	5.	T-0264	8-0540	O-Ring, Large	10
	T-0242	9-5747	Tip, .055 Air 100 Amp	5	6.	T-0256	9-5743	TMT-150 Hand Torch, 70°	1
	T-0243	9-5748	Tip, .043 Air 50 Amp	5		T-2171	9-5744	TMT-150 Hand Torch, 90°	1
	T-0244	9-5751	Tip, .070 Oxy 150 Amp	5	6a.	T-0257	9-5745	TMT-150 Machine Torch	1
	T-0245	9-5752	Tip, .052 Oxy 100 Amp	5					

ACCESSORIES

Item	Part No.	Ref. No.	Description	Std. Pkg	Item	Part No.	Ref. No.	Description	Std. Pkg.
1.	T-0261	8-2158	Adapter, 1 3/8" Dia	1	T-0960	8-1058	Leads Sleeving, 50'	1	
2.	T-1077	7-3207	Mounting Tube	1	T-0963	8-5139	Shielded Sleeving, 25'	1	
3.	T-0161	8-4204	Bushing	1	10.	T-0954	4-2863	Hand Leads, 25'	1
4.	T-0965	8-5565	Plasma Lead, 25'	1		T-0955	4-2864	Hand Leads, 50'	1
	T-0966	8-5566	Plasma Lead, 50'	1		T-0956	4-2865	Machine Leads, 25'	1
5.	T-0961	8-5135	Secondary Gas Hose, 25'	1		T-0957	4-2866	Machine Leads, 50'	1
	T-0962	8-5136	Secondary Gas Hose, 50'	1	NS	T-0950	2-2980	Machine Torch with 25' Leads	1
6.	T-0969	8-6139	Negative Lead, 25'	1	NS	T-0951	2-2981	Machine Torch with 50' Leads	1
7.	T-0971	8-6305	Coolant Return Hose, 25'	1	NS	T-0952	2-2982	Hand Torch 70° with 25' Leads	1
	T-0972	8-6306	Coolant Return Hose, 50'	1	NS	T-0958	2-2978	Hand Torch 90° with 25' Leads	1
8.	T-0967	8-5567	Control Cable, 25'	1	NS	T-0953	2-2983	Hand Torch 70° with 50' Leads	1
	T-0968	8-5568	Control Cable, 50'	1	NS	T-0959	2-2979	Hand Torch 90° with 50' Leads	1
9.	T-0940	8-1000	Leads Sleeving, 25'	1					

Last update of this page: 17/11/2015. See Revision history for details.

THERMACUT®
THE CUTTING COMPANY

WWW.THERMACUT.CZ
TEL.: +420 556 423 418
SALES@THERMACUT.CZ

WWW.THERMACUT.DE
TEL.: +49 (0) 27 39 40 33 0
INFO@THERMACUT.DE

WWW.THERMACUT.COM
TEL.: 1-603-542-6715
CUSTOMERSERVICE@THERMACUT.COM

THERMACUT®, FHT-EX® AND EX-TRAFIRE® ARE REGISTERED TRADEMARKS OF THERMACUT, K. S. AND MAY BE REGISTERED IN CZECH REPUBLIC AND/OR OTHER COUNTRIES. ALL OTHER TRADEMARKS ARE PROPERTIES OF THEIR RESPECTIVE OWNERS. THERMACUT IS NO WAY AFFILIATED WITH Thermal Dynamics®. MOST THERMACUT PARTS ARE MADE FOR OR BY AN IBG COMPANY. PARTS INDICATED WITH A OEM ARE ORIGINAL PARTS MANUFACTURED BY THE ABOVE NAMED MANUFACTURER AND ARE BEING RESOLD BY THERMACUT. THERMACUT RESERVES THE RIGHT TO SUBSTITUTE OEM PARTS IN PLACE OF THERMACUT PARTS. VALID FROM JANUARY 2017 • PREVIOUS VERSION IS NO LONGER VALID. © COPYRIGHT 2017 BY THERMACUT® CZECH REPUBLIC. ALL RIGHTS RESERVED.